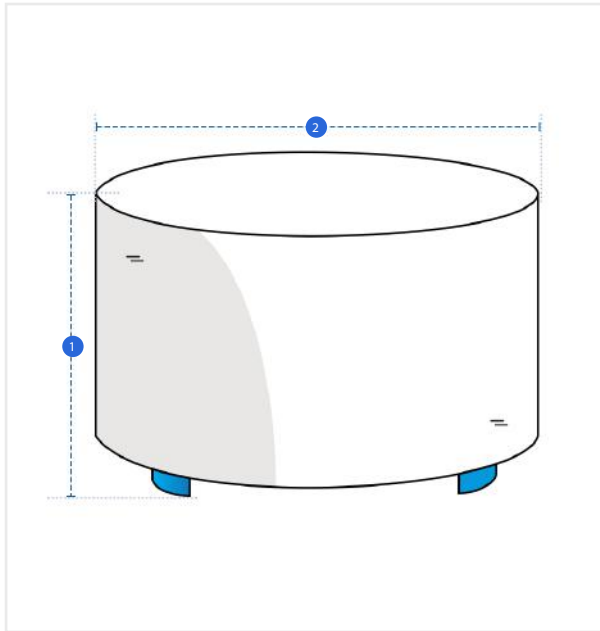


## How to Measure Round Ottoman Covers

### Measurement Instruction

- ✓ Give exact measurement from edge to edge.
- ✓ We add 0.5" to 1.5" leeway on the given diameter for easy pull-in and pull-out.
- ✓ The height dimensions will remain same as provided by you.



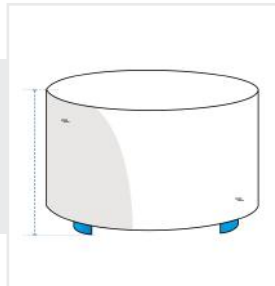
### Measurement (Inches)

1. Height

2. Diameter

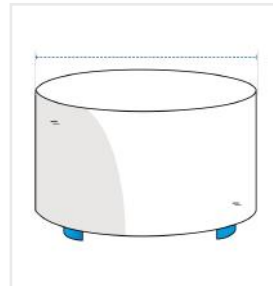
#### 1. Height:

Height of the Round Ottoman



#### 2. Diameter:

Diameter of the Round Ottoman



We encourage you to upload the image of the article you need the cover for - this helps our team ensure covers are designed keeping your requirements in mind.