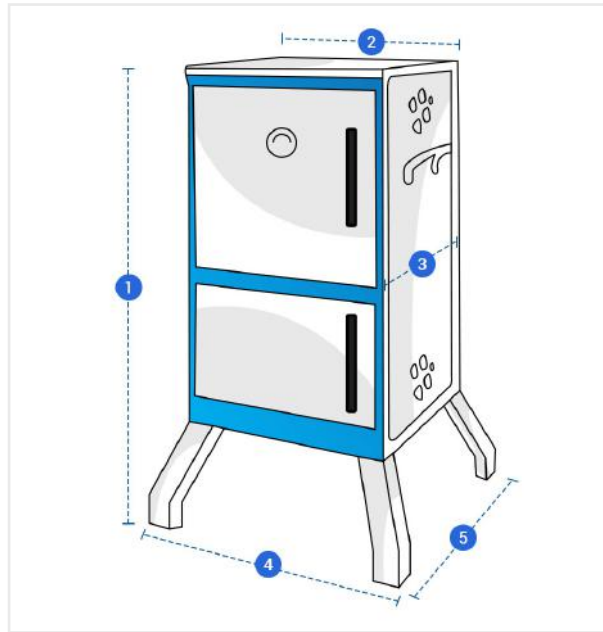


How to Measure Square/Rectangle Smoker BBQ/Grill Covers

Measurement Instruction

- ✓ Give exact measurement from edge to edge.
- ✓ We add 1" to 2" leeway on the given width/depth for easy pull-in and pull-out.
- ✓ The height dimensions will remain same as provided by you.



Measurement (Inches)

1. Height

2. Top Width

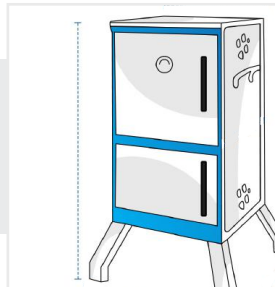
3. Top Depth

4. Bottom Width

5. Bottom Depth

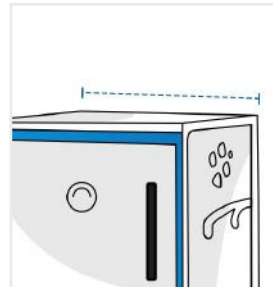
1. Height:

Height of the Square/Rectangle Smoker BBQ/Grill



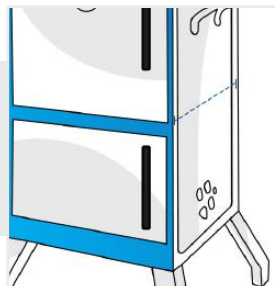
2. Top Width:

Top Width of the Square/Rectangle Smoker BBQ/Grill



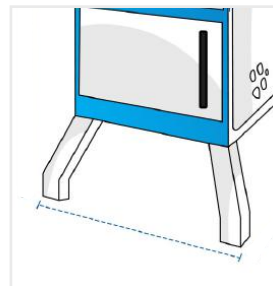
3. Top Depth:

Top Depth of the Square/Rectangle Smoker BBQ/Grill



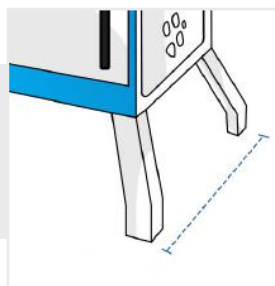
4. Bottom Width:

Bottom Width of the Square/Rectangle Smoker BBQ/Grill



5. Bottom Depth:

Bottom Depth of the Square/Rectangle Smoker BBQ/Grill



We encourage you to upload the image of the article you need the cover for - this helps our team ensure covers are designed keeping your requirements in mind.