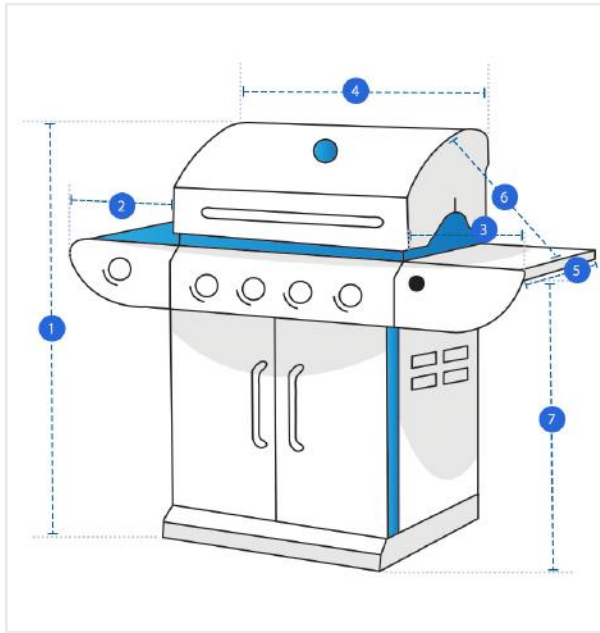


How to Measure Standard Barbecue Covers

Measurement Instruction

- ✓ Give exact measurement from edge to edge.
- ✓ We add 0.5" to 1.5" leeway on the given width/depth for easy pull-in and pull-out.
- ✓ The height dimensions will remain same as provided by you.



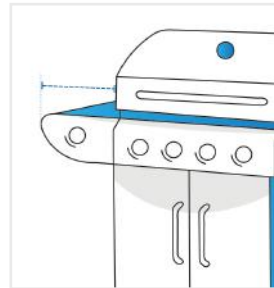
Measurement (Inches)

- | | | | |
|-----------------------------|----------------------|---|----------------------|
| 1. Height | <input type="text"/> | 2. Left Width | <input type="text"/> |
| 3. Right Width | <input type="text"/> | 4. Width of Grill Hood | <input type="text"/> |
| 5. Depth (Including Handle) | <input type="text"/> | 6. Angle Distance from top of Grill to outside of shelf | <input type="text"/> |
| 7. Shelf to Ground | <input type="text"/> | | |

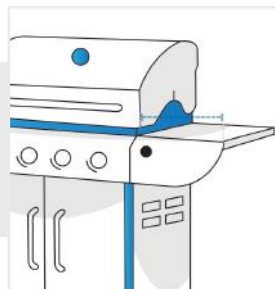
1. Height:
Height From Ground to Top of Grill Hood



2. Left Width:
Left side table width of the grill



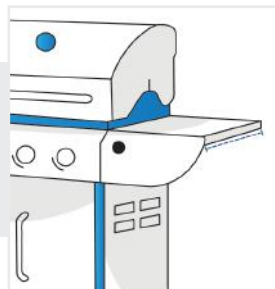
3. Right Width:
Right side table width of the grill



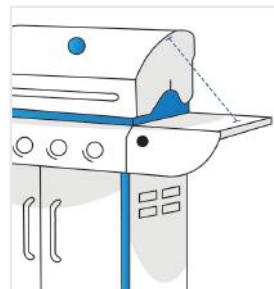
4. Width of Grill Hood:
Width of the grill hood



5. Depth:
Depth of the grill



6. Angle Distance from top of Grill to outside of shelf:
Angle Distance from top of Grill to outside of shelf





7. Shelf to Ground:

Shelf to Ground From
ground to Table height