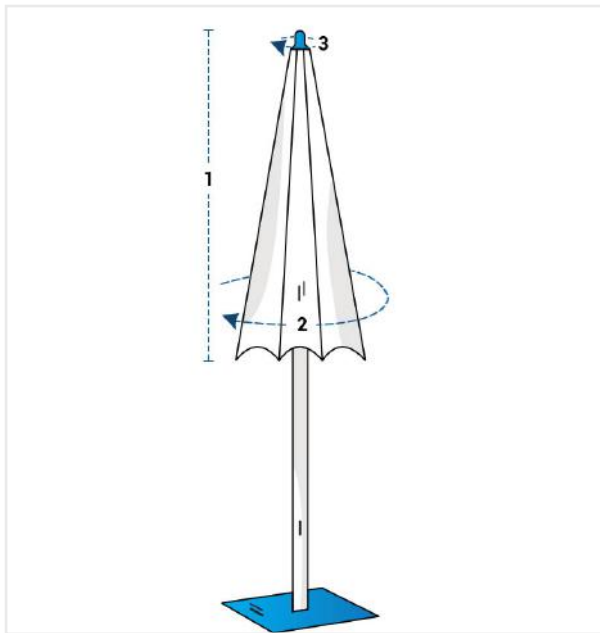


## How to Measure Umbrella Covers

### Measurement Instruction

- ✓ Give exact measurement from edge to edge.
- ✓ We add 0.5" to 1.5" leeway on the given width/depth for easy pull-in and pull-out.
- ✓ The height dimensions will remain same as provided by you.



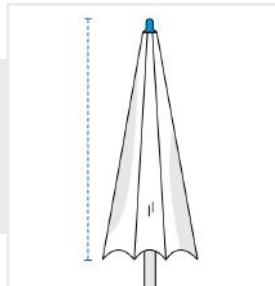
### Measurement (Inches)

1. Height

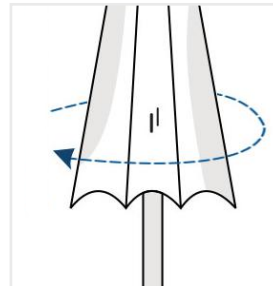
2. Bottom Circumference

3. Top Circumference

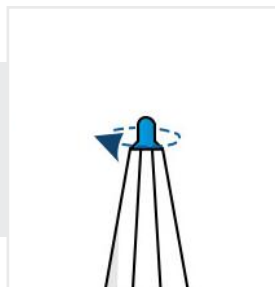
**1. Height:**  
Height of the Umbrella



**2. Bottom Circumference:**  
Bottom Circumference of the Umbrella



**3. Top Circumference:**  
Top Circumference of the Umbrella



We encourage you to upload the image of the article you need the cover for - this helps our team ensure covers are designed keeping your requirements in mind.