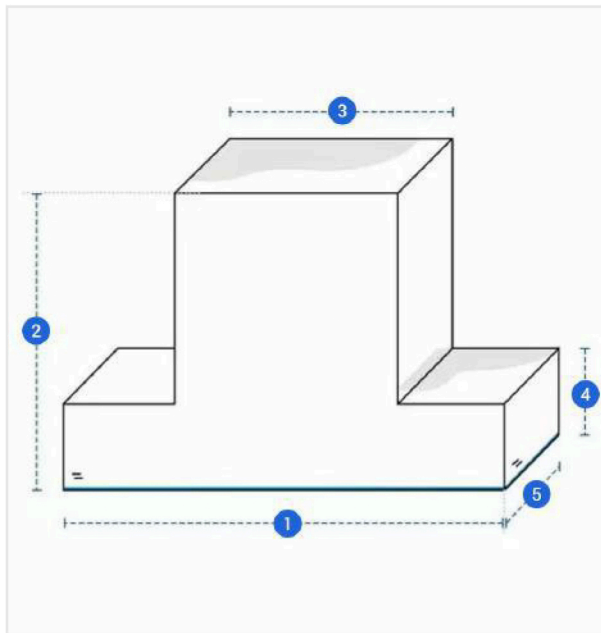


How to Measure T Shape Tufted Cushion

Measurement Instruction

- ✓ Give exact measurement from edge to edge.
- ✓ The height dimensions will remain same as provided by you.
- ✓ Size may vary from 0 to ± 5 cm from the given width/depth for a better fit.



Measurement (cm)

1. Bottom Width

2. Length

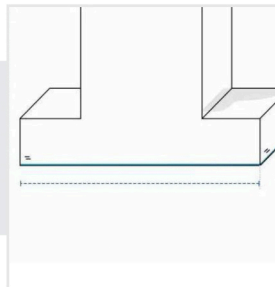
3. Top Width

4. Edge

5. Thickness

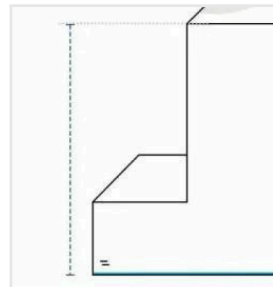
1. Bottom Width:

Bottom Width of the T Shape Cushion



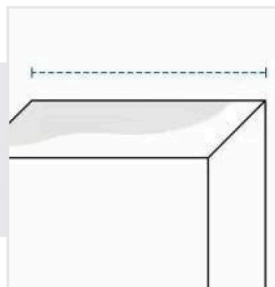
2. Length:

Length of the T Shape Cushion



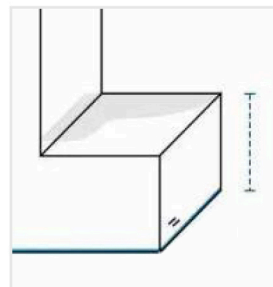
3. Top Width:

Top Width of the T Shape Cushion



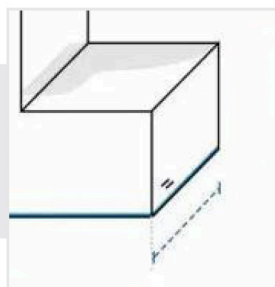
4. Edge:

Edge of the T Shape Cushion



5. Thickness:

Thickness of the T Shape Cushion



We encourage you to upload the image of the article you need the cover for - this helps our team ensure covers are designed keeping your requirements in mind.