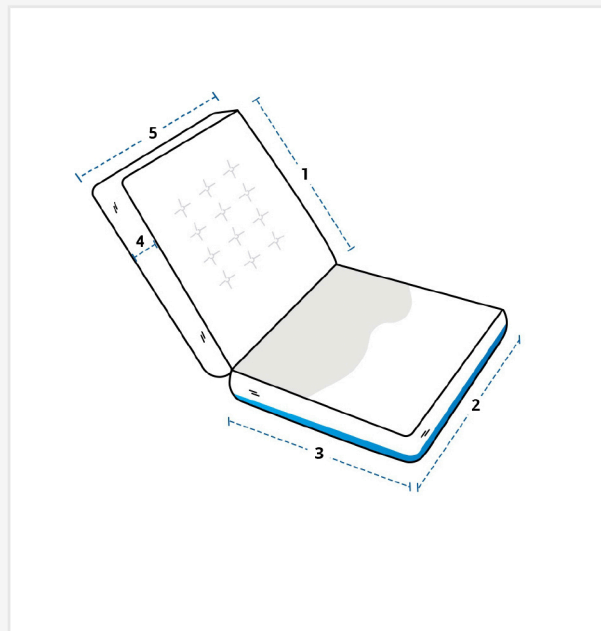


How to Measure Loveseat Back & Seat Tufted Cushion

Measurement Instruction

- ✓ Give exact measurement from edge to edge.
- ✓ The height dimensions will remain same as provided by you.
- ✓ Size may vary from 0 to ±5 cm from the given width/depth for a better fit.

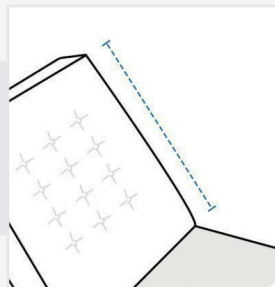


Measurement (cm)

1. Back Height	<input type="text"/>	2. Front Width	<input type="text"/>
3. Seat Depth	<input type="text"/>	4. Thickness	<input type="text"/>
5. Back Width	<input type="text"/>		

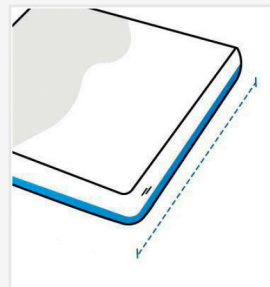
1. Back Height:

Back Height of the Sofa Cushion



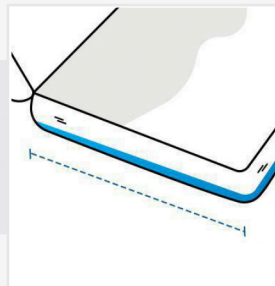
2. Front Width:

Front Width of the Sofa Cushion



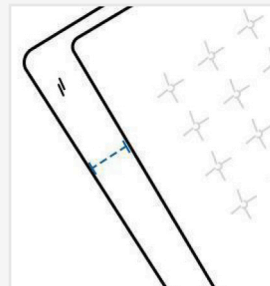
3. Seat Depth:

Seat Depth of the Sofa Cushion



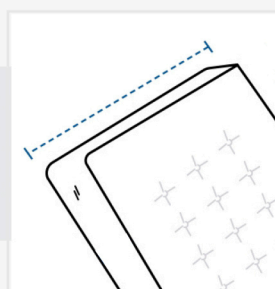
4. Thickness:

Thickness of the Sofa Cushion



5. Back Width:

Back Width of the Sofa Cushion



We encourage you to upload the image of the article you need the cover for - this helps our team ensure covers are designed keeping your requirements in mind.